

AguaPARS

Atmospheric Water Generator

Model AP-100



User Manual

Dear user.

Congratulations on your purchase of our Atmospheric Water Generator. Our commitment is to provide you with healthy sustainable drinking water that is good for you and the environment.

Water is an essential resource for all biological life. Without water, there would be no life. About 70.8% of the earth's surface is covered by water. Just 3% of the water is fresh water. Most of the freshwater is locked in icecaps and glaciers. All the lakes, rivers, and swamps only account for 0.3% of available fresh water.

There is an estimated 12 quintillion liters of water in the earth's atmosphere; that's 10 times more than all the rivers, lakes, and swamps combined.

With global warming, rise in population, industrial growth, and agricultural demand. Recent scientific research estimates that by 2050 the entire globe will be under severe water stress. At present 1.2 billion people do not have access to safe drinking water.

Water pollution has also become a serious threat to personal health. Harmful chemicals have been found in numerous water supplies including leaching harmful chemicals from the containers that the water has been stored in.

The use of Atmospheric Water Generators is beneficial to personal health and the environment by producing pure chemical and bacteria-free water and eliminating the risks of contamination from storage containers. This, in turn, reduces the demand for groundwater and the production of plastic bottles.

Attention:

- Read the manual before connecting to electricity.
- Please keep this manual for future reference.

1. Product Introduction

- The Atmospheric Water Generator is a high-tech water supply machine that provides the highest quality drinking water by harvesting water from the humidity in the air. This process in turn dehumidifies and purifies the air in the room.
- The Atmospheric Water Generator is designed for multiple applications. Residential, commercial, industrial, hospitality, medical and marine use.

2. Safety Precautions

- Do not attempt to repair the machine or power cable. Contact the service support.
- Only connect the unit to an appropriate power supply.
- Do not pull or damage the power cable.
- Do not connect the power supply with wet hands.

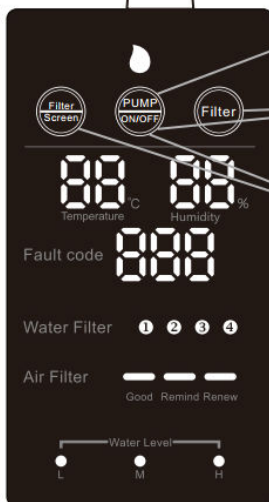
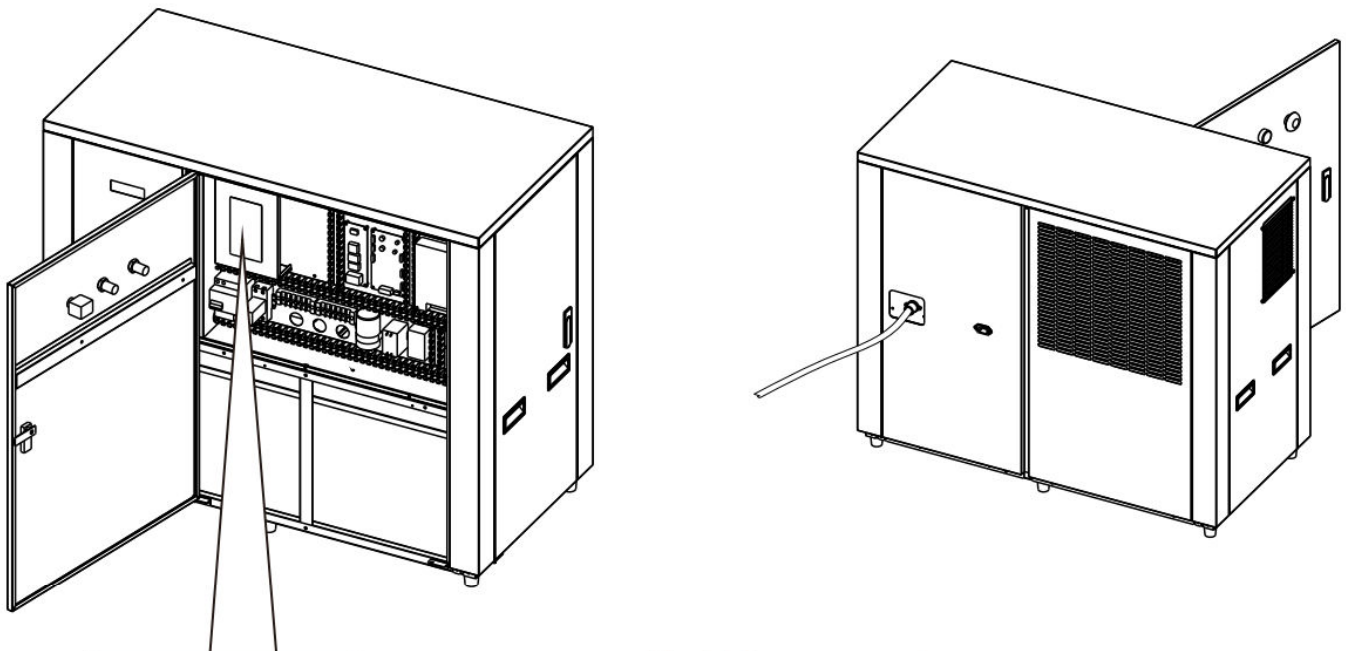
- Keep the power cable out of reach of children.
- To prevent damage to the machine, disconnect the power supply during thunderstorms.
- Disconnect the power supply before cleaning or maintenance.
- Do not use multiple connections on the machine's power supply connection.
- Do not place or use the machine in volatile, corrosive, or flammable chemical environments.
- Should abnormal sounds, smell, temperature, or leakage occur, disconnect from the power supply and contact your local dealer for service support.
- Do not place any objects on top of the unit.
- Always keep the unit in an upright position.
- Do not place any flammable objects within 40 cm of the back of the machine because of hot exhaust air.
- When moving the machine, the water tank must be drained to avoid water spillage within the machine.
- To prolong the air filter lifespan, place the unit in the best possible location.
- The machine should be operated in temperatures above zero.
- Do not remove the back cover of the machine.
- Children should be supervised when operating the machine.

3. Installation Guide

- The machine must be placed on a firm horizontal surface. Avoid fitting the machine at any angle or may result in excessive noise during operation.
- Ensure a minimum gap of 200 mm between the machine and walls to allow sufficient cooling and ventilation.
- Leave the machine in its final position for 4 hours before turning the power on. This will allow for optimum operation.

- The water machine protection class IPX0, if it is placed outdoors, needs to build a rainproof shed.
- The water machine has a water outlet reserved, and the pipeline can be connected to the water storage tank during installation.
- Electrical accessories: The power cord adopts the national standard RVV 3x2.5mm², and the low voltage protection appliance adopts the D20 air switch.

4. Cancel operation



Press and hold for 3 seconds to get water.

After replacing the filter, press and hold the two buttons for 3 seconds at the same time,

After replacing the filter, press and hold the two buttons for 3 seconds at the same time, and the life of the filter will be recalculated.